

Performance Driven.

Choose from 3 styles to power your lift

Whether you're looking for one of the safest, most dependable lifts on the market like the ShoreStation Hydraulic, or the simplicity of our original manual drive lift, ShoreStation continues to elevate the industry standards.

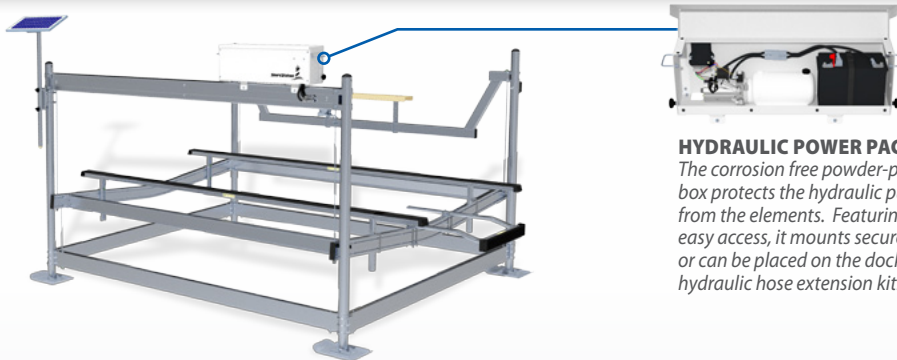
FEATURES COMPARISON

	ShoreStation® Hydraulic	ShoreStation® Power Winch	ShoreStation® Manual Winch
Wireless Operation	Yes	Yes	No
Integrated Design	Yes	Yes	No
Fully enclosed protective cover	Yes	Yes	No
Adjustable Upper Limit	Standard	Standard	No
Back Wind Sensor	Not required	Standard	No
Emergency manual operation	No	Yes	Yes
Auto-Up Feature	Yes	No	No
Remote switch for optional lights	Yes (2)	Yes (2)	No



50 SECOND LIFT SPEED*

Hydraulic



HYDRAULIC POWER PACK

The corrosion free powder-painted aluminum box protects the hydraulic pump and battery from the elements. Featuring a hinged lid for easy access, it mounts securely on the lift tube or can be placed on the dock with optional hydraulic hose extension kits.

Our ShoreStation Hydraulic Lift design makes boating simple and swift, from launch to lift. Never miss another moment on the water, with the fastest, most dependable lift available.

QUICKLY SECURES BOAT - When you have a Hydraulic Lift, there's no need to worry about wind and waves getting in your way. This lift is the fastest on the market and will give you confidence to safely land and secure your boat in less than ideal conditions.

MAXIMUM PROTECTION - With cables that are pulled instead of wound, this system is designed to eliminate cable fatigue issues and safeguard against critical failure. In addition, our hydraulics are pressure regulated, so they stall before lifting potentially damaging loads, giving you peace of mind that your precious cargo is safe.

HYDRAULIC LIFT SPECIFICATIONS

AVAILABLE LIFT CAPACITY	INSIDE WIDTH	PLATFORM LENGTH	LIFT TRAVEL	**MINIMUM WATER DEPTH	**MAXIMUM WATER DEPTH
* 4,000 lb.	108"/120"	10' 11"	4'	11"	7' 7"
* 5,000 lb.	120"	10' 11"	4'	11"	8' 1"
* 5,000 lb. LONG	132"	13' 11"	4'	11"	8' 1"
* 6,000 lb.	120"/132"	11' 11"	4' 6"	11"	8' 1"
* 6,000 lb. LONG	120"/132"	13' 11"	4' 6"	11"	8' 1"
* 7,000 lb.	120"/132"	12' 11"	4' 6"	11"	8' 1"
* 8,000 lb.	132"	12' 10"	5' 4"	14"	9' 10"
* 10,000 lb.	132"/144"	12' 10"	5' 4"	14"	9' 10"
o 15,000 lb.	144"	15' 4"	5' 10"	21"	10' 11"

CUSTOM BOAT SUPPORT *Exclusive UltraBunks o Heavy Duty wood-carpet bunks

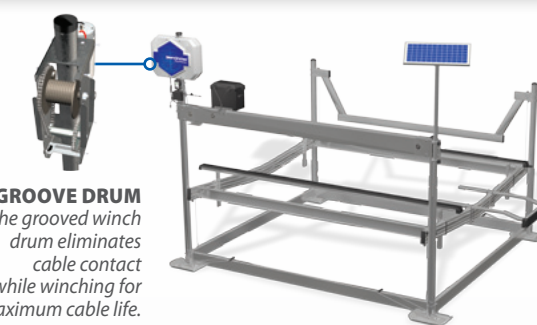


BEST WARRANTY ON THE MARKET!

All ShoreStation® Hydraulic and Power Winch boat lifts are backed by the best warranty in the industry. Our unique design significantly reduces cable stress and keeps your lift working properly for years to come.

2 MINUTE LIFT SPEED*

Power Winch



GROOVE DRUM

The grooved winch drum eliminates cable contact while winching for maximum cable life.

Our ShoreStation Power Winch Lift is built on proven technology for years dependable use.



SIMPLE, INTEGRATED DESIGN - The time-tested ShoreStation winch has a direct drive motor that is integrated and enclosed reducing exposure to the outdoor environment. The rugged, galvanized steel winch frame reduces deflections and maintains alignment of internal components.

LIFT SYSTEM PROTECTION - Power winch systems feature a back-wind sensor and upper limit switch protecting the lift from damage. The adjustable upper limit switch stops the platform at any desired height for added protection.

RELIABLE DC POWER The solar-powered, DC operating system eliminates the need for an AC circuit on the dock, providing safety and superior performance on command.

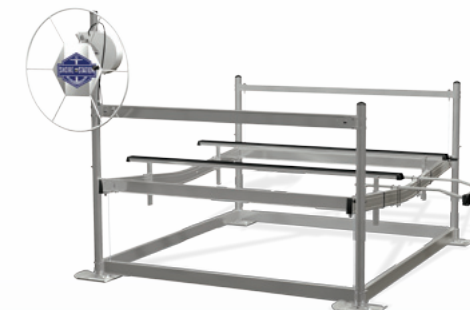
ELECTRIC LIFT SPECIFICATIONS

AVAILABLE LIFT CAPACITY	INSIDE WIDTH	PLATFORM LENGTH	LIFT TRAVEL	**MINIMUM WATER DEPTH	**MAXIMUM WATER DEPTH
* 2,000 lb.	100"	8' 11"	4'	11"	7' 7"
* 3,000 lb.	108"/120"	8' 11"	4'	11"	7' 7"
* 4,000 lb.	108"/120"	8' 11"	4'	11"	7' 7"

CUSTOM BOAT SUPPORT *Exclusive UltraBunks

4+ MINUTE LIFT SPEED*

Manual Winch



Maybe it's childhood memories, the notorious click of the winch, the grip of the wheel. More than 50 years from its inception, we still offer what became the industry standard of what a boat lift should be.

TIME-TESTED SHORESTATION WINCH - Has earned the trust of thousands of boat owners with decades of proven history. It offers smoother lifting and dependability far superior to any ordinary winch. The Wheel Lock Mechanism safety feature is spring activated, preventing the platform from being raised too high.

DURABLE LOW MAINTENANCE CONSTRUCTION - Everything is designed for years of dependable service: aluminum construction, stainless steel cables, poly/aluminum UltraBunks, stainless steel/brass fasteners, and GAR-MAX pulley bearings. The bolt-together aluminum construction provides superior environmental endurance and eliminates the need for aluminum welds while adding to the strength and stability of the lift.

MANUAL LIFT SPECIFICATIONS

AVAILABLE LIFT CAPACITY	INSIDE WIDTH	PLATFORM LENGTH	LIFT TRAVEL	**MINIMUM WATER DEPTH	**MAXIMUM WATER DEPTH
* 2,000 lb.	100"	8' 11"	4'	11"	7' 7"
* 3,000 lb.	108"/120"	8' 11"	4'	11"	7' 7"
* 4,000 lb.	108"/120"	8' 11"	4'	11"	7' 7"

CUSTOM BOAT SUPPORT *Exclusive UltraBunks